

Tigrip® Load Hoisting Tackle Spreader beams



TTS Spreader beam, adjustable

Capacity 1000 - 25000 kg

For the transport of symmetrical and asymmetrical loads.

Features

- Lifting brackets for single hook according to DIN 15401
- Adjustment with grids
- Adjustable bracket with handle and swivel hook (cannot be rotated under load)

Technical data TTS

Model	Art.-No.	Capacity kg	Working width Z mm	Hook mouth mm	Weight kg
TTS 1,0/1500	N53106001	1000	700 - 1500	18	40
TTS 2,0/1500	N53106002	2000	700 - 1500	18	41
TTS 3,0/1500	N53106003	3000	700 - 1500	21	53
TTS 5,0/1500	N53106004	5000	700 - 1500	23	79
TTS 7,5/1500	N53106005	7500	700 - 1500	32	98
TTS 10,0/1500	N53106006	10000	700 - 1500	32	117
TTS 12,5/1500	N53106007	12500	700 - 1500	40	116
TTS 15,0/1500	N53106008	15000	700 - 1500	40	137
TTS 20,0/1500	N53106009	20000	700 - 1500	50	180
TTS 25,0/1500	N53106010	25000	700 - 1500	50	226
TTS 1,0/2500	N53106011	1000	1500 - 2500	18	58
TTS 2,0/2500	N53106012	2000	1500 - 2500	18	84
TTS 3,0/2500	N53106013	3000	1500 - 2500	21	105
TTS 5,0/2500	N53106014	5000	1500 - 2500	23	127
TTS 7,5/2500	N53106015	7500	1500 - 2500	32	178
TTS 10,0/2500	N53106016	10000	1500 - 2500	32	215
TTS 12,5/2500	N53106017	12500	1500 - 2500	40	198
TTS 15,0/2500	N53106018	15000	1500 - 2500	40	237
TTS 20,0/2500	N53106019	20000	1500 - 2500	50	287
TTS 25,0/2500	N53106020	25000	1500 - 2500	50	342
TTS 1,0/3500	N53106021	1000	1700 - 3500	18	95
TTS 2,0/3500	N53106022	2000	1700 - 3500	18	137
TTS 3,0/3500	N53106023	3000	1700 - 3500	21	162
TTS 5,0/3500	N53106024	5000	1700 - 3500	23	228
TTS 7,5/3500	N53106025	7500	1700 - 3500	32	278
TTS 10,0/3500	N53106026	10000	1700 - 3500	32	317
TTS 12,5/3500	N53106027	12500	1700 - 3500	40	295
TTS 15,0/3500	N53106028	15000	1700 - 3500	40	340
TTS 20,0/3500	N53106029	20000	1700 - 3500	50	451
TTS 25,0/3500	N53106030	25000	1700 - 3500	50	512
TTS 1,0/5000	N53106031	1000	2000 - 5000	18	190
TTS 2,0/5000	N53106032	2000	2000 - 5000	18	219
TTS 3,0/5000	N53106033	3000	2000 - 5000	21	260
TTS 5,0/5000	N53106034	5000	2000 - 5000	23	372
TTS 7,5/5000	N53106035	7500	2000 - 5000	32	423
TTS 10,0/5000	N53106036	10000	2000 - 5000	32	531
TTS 12,5/5000	N53106037	12500	2000 - 5000	40	449
TTS 15,0/5000	N53106038	15000	2000 - 5000	40	568
TTS 20,0/5000	N53106039	20000	2000 - 5000	50	691
TTS 1,0/8000	N53106040	1000	3000 - 8000	18	342
TTS 2,0/8000	N53106041	2000	3000 - 8000	18	458
TTS 3,0/8000	N53106042	3000	3000 - 8000	21	547
TTS 5,0/8000	N53106043	5000	3000 - 8000	23	788
TTS 7,5/8000	N53106044	7500	3000 - 8000	32	883
TTS 10,0/8000	N53106045	10000	3000 - 8000	32	1319
TTS 12,5/8000	N53106046	12500	3000 - 8000	40	979
TTS 15,0/8000	N53106047	15000	3000 - 8000	40	1046

Tigrip[®] Load Hoisting Tackle Spreader beams

Dimensions TTS

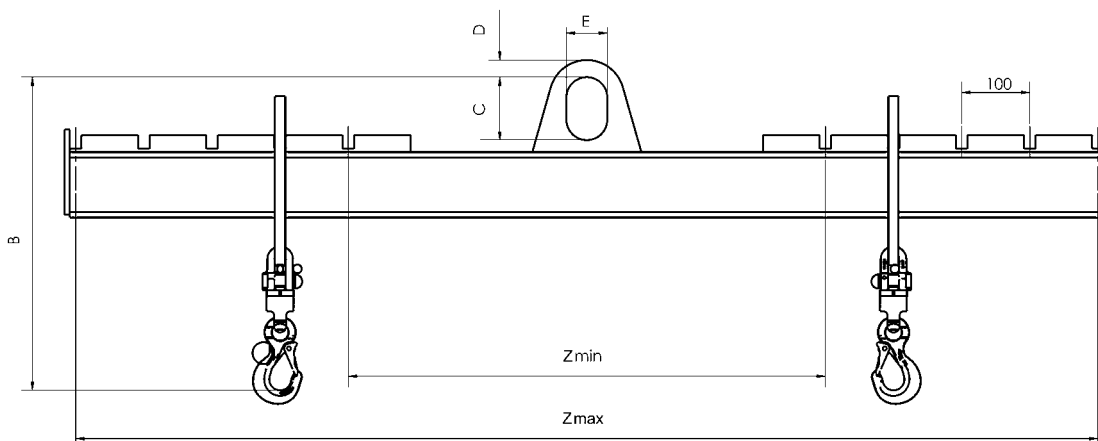
Model	TTS 1,0/1500	TTS 2,0/1500	TTS 3,0/1500	TTS 5,0/1500	TTS 7,5/1500	TTS 10,0/1500	TTS 12,5/1500	TTS 15,0/1500	TTS 20,0/1500	TTS 25,0/1500
B, mm	440	470	570	655	740	835	865	910	1020	1230
C, mm	110	135	160	180	200	260	260	260	260	300
D, mm	25	30	35	40	60	70	75	85	90	100
E, mm	60	75	90	100	130	130	140	140	160	160

Model	TTS 1,0/2500	TTS 2,0/2500	TTS 3,0/2500	TTS 5,0/2500	TTS 7,5/2500	TTS 10,0/2500	TTS 12,5/2500	TTS 15,0/2500	TTS 20,0/2500	TTS 25,0/2500
B, mm	440	505	610	675	785	880	915	955	1060	1255
C, mm	110	135	160	180	200	260	260	260	260	300
D, mm	25	30	35	40	60	70	75	85	90	100
E, mm	60	75	90	100	130	130	140	140	160	160

Model	TTS 1,0/3500	TTS 2,0/3500	TTS 3,0/3500	TTS 5,0/3500	TTS 7,5/3500	TTS 10,0/3500	TTS 12,5/3500	TTS 15,0/3500	TTS 20,0/3500	TTS 25,0/3500
B, mm	440	530	635	715	810	905	935	980	1115	1300
C, mm	110	135	160	180	200	260	260	260	260	300
D, mm	25	30	35	40	60	70	75	85	90	100
E, mm	60	75	90	100	130	130	140	140	160	160

Model	TTS 1,0/5000	TTS 2,0/5000	TTS 3,0/5000	TTS 5,0/5000	TTS 7,5/5000	TTS 10,0/5000	TTS 12,5/5000	TTS 15,0/5000	TTS 20,0/5000
B, mm	495	550	655	740	830	950	980	1025	1155
C, mm	110	135	160	180	200	260	260	260	260
D, mm	25	30	35	40	60	70	75	85	90
E, mm	60	75	90	100	130	130	140	140	160

Model	TTS 1,0/8000	TTS 2,0/8000	TTS 3,0/8000	TTS 5,0/8000	TTS 7,5/8000	TTS 10,0/8000	TTS 12,5/8000	TTS 15,0/8000
B, mm	515	590	700	785	895	1010	1045	1085
C, mm	110	135	160	180	200	260	260	260
D, mm	25	30	35	40	60	70	75	85
E, mm	60	75	90	100	130	130	140	140



INFO

The spreader beams can be combined with the different suspension types (see pages 202-203).